

Easy to Follow Instructions

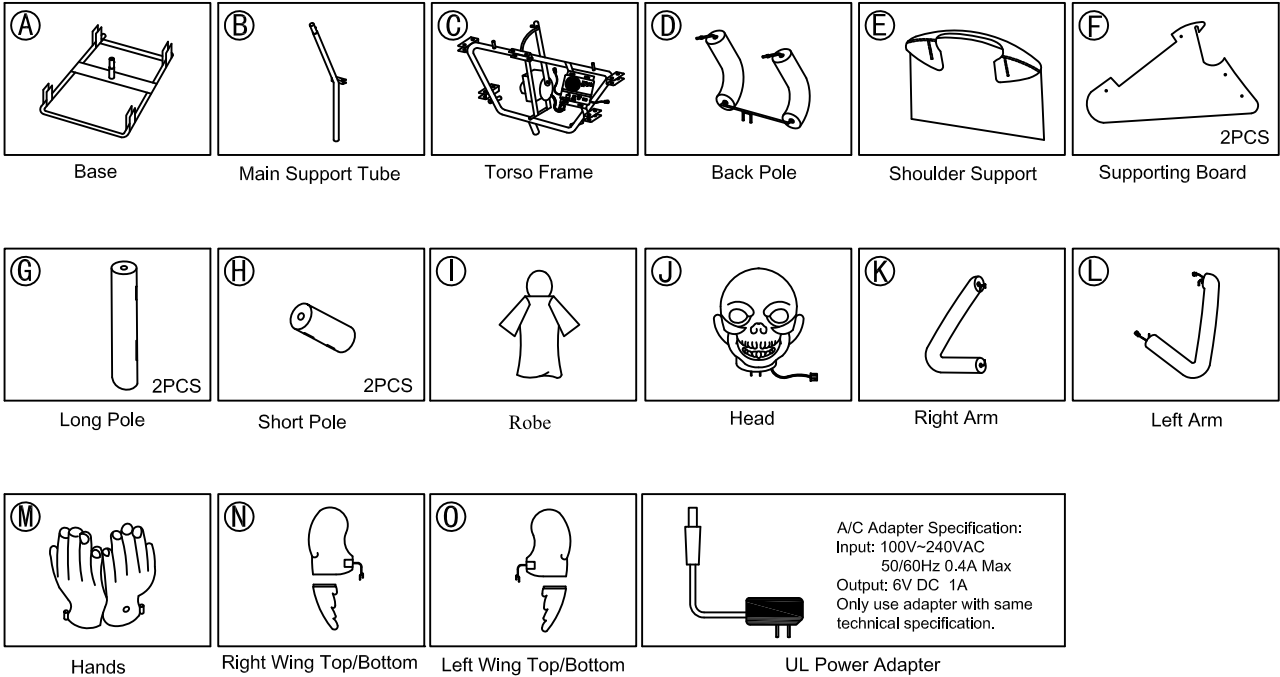
01181148 Cemetery Angel

Please read all instructions carefully before assembling.

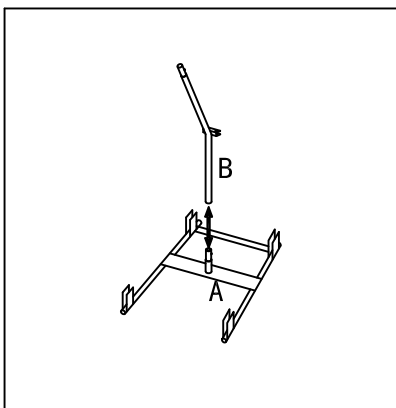
Care & Storage Instructions: Gently wipe clean with a soft cloth or feather duster only. Store product in its original package. Keep away from heat & moisture. For indoor use only. Save instruction sheet for future reference.

This item, when assembled by the following instructions, should take 5-10 minutes to assemble. Please follow the step by step guide and enjoy your Cemetery Angel.

PART LIST:

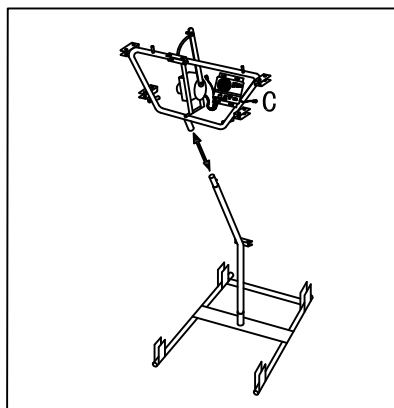


ASSEMBLY INSTRUCTIONS: Unplug when not in use. It is not a toy and is not intended for Children. Please use it with adult supervision.



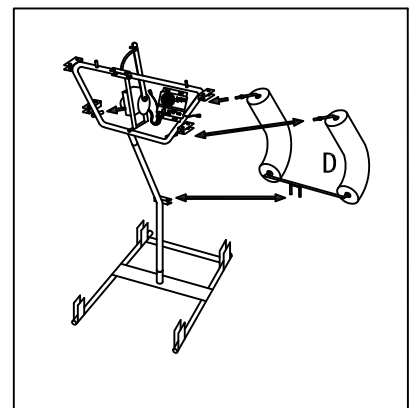
Step 1:

NOTE: The longer end of the (A) Base goes towards the front. First, assemble the (B) Main Support Tube to the (A) Base as shown, and secure by aligning the quick-connect push buttons into the pre-drilled holes.



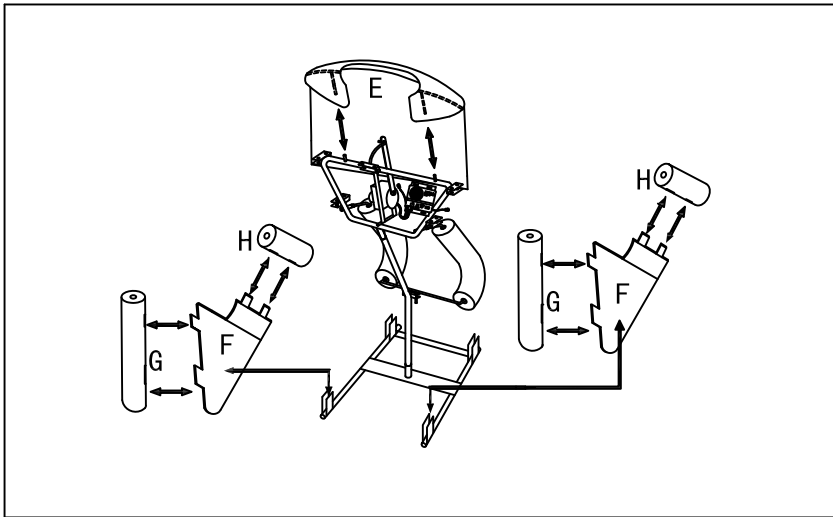
Step 2:

Next, assemble the (C) Torso Frame into the tops of the (B) Main Support Tube as shown and secure by aligning the quick-connect push buttons into the pre-drilled holes.

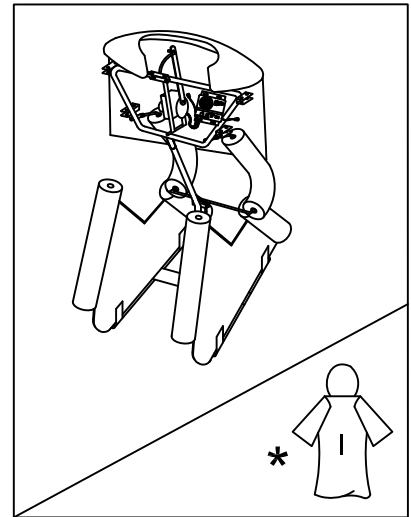


Step 3:

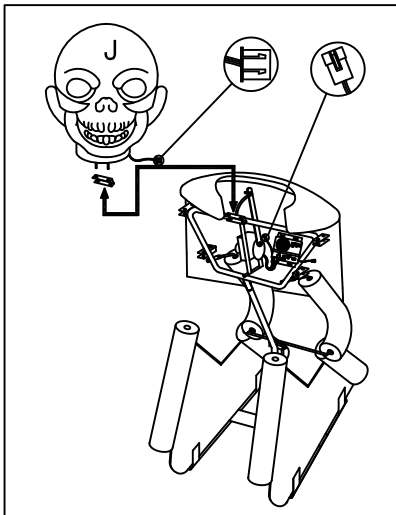
Assemble (D) Back Pole into the pre-drilled holes of (B) Main Support Tube and (C) Torso Frame as shown.



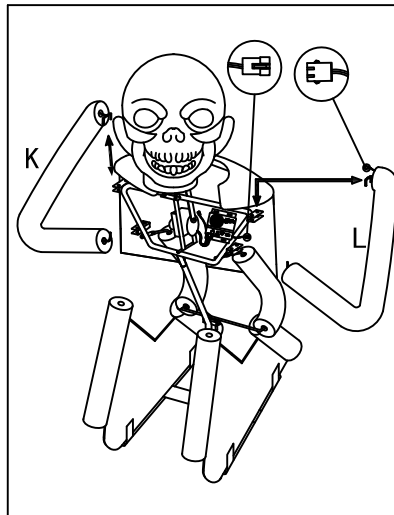
Step 4:
 Attach the (E) Shoulder Support to the top of (C) Torso Frame as shown. Attach the (G) Long Pole and (H) Short Pole on to the (F) Supporting Board. Then insert the (M) Supporting Board into the right and left side of the (A) Base as shown.



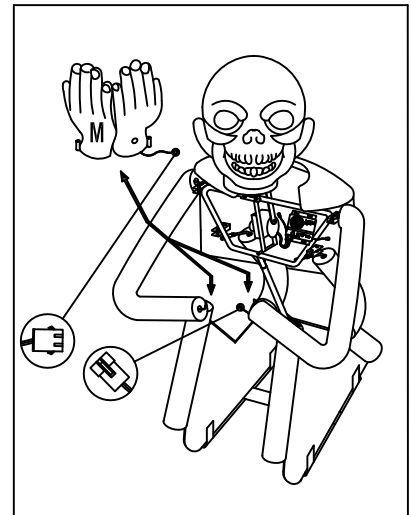
*** Step 5:**
 Put the (I) Robe onto the framework which just had been assembled. The (I) Robe will not be shown on the framework in the following steps in purpose you can see the framework clearly .



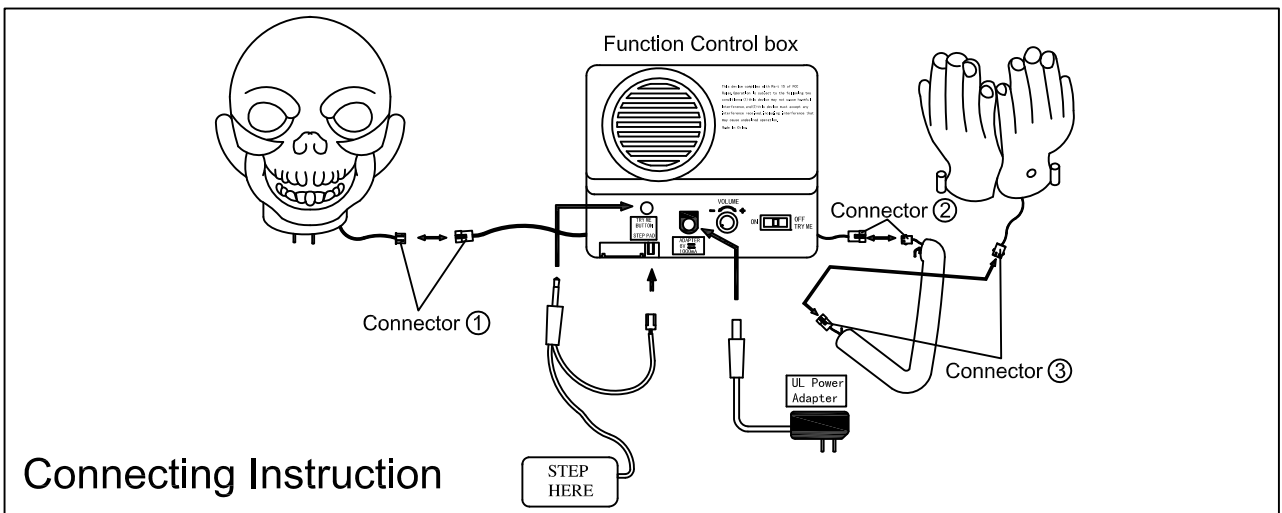
Step 6:
 Attach the (J) Head to the center top of (C) Torso Frame as shown. Then connect the two connectors shown in the rings, this is for power for the light of the eyes.

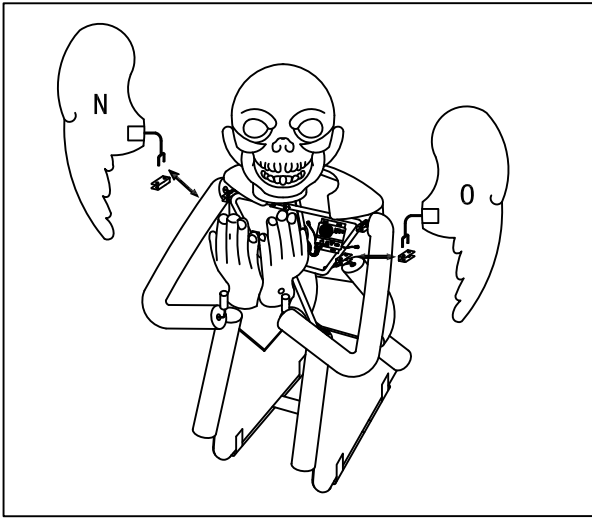


Step 7:
 Assemble (K) Right Arm and (L) Left Arm into the pre-drilled holes of (C) Torso Frame as shown. Then connect the two connectors shown in the rings.

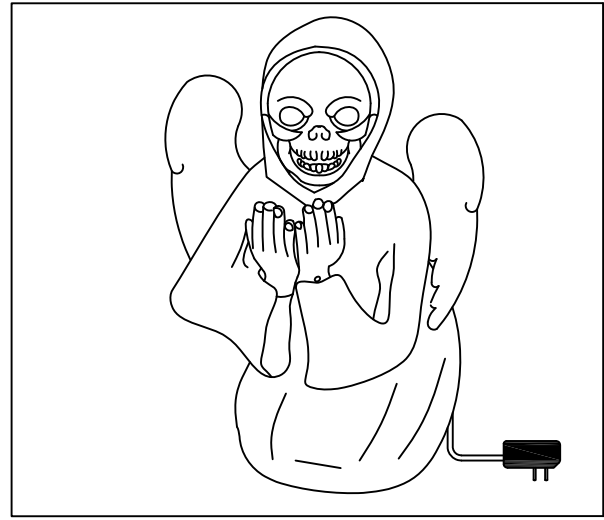


Step 8:
 Assemble (M) Hands into the pre-drilled holes of (K) Right Arm and (L) Left Arm. Then connect the two connectors shown in the rings, this is for the power of the sensor in the hands.





Step 9:
Assembling the (N) Right Wing and (O) Left Wing by combining the top and bottom parts with the magnets on them. Then attach the (N) Right Wing and (O) Left Wing to the (C) Torso Frame by inserting the fork into the pre-drilled holed as shown.



Step 10:
Now, plug the UL Power Adapter in and enjoy your Cemetery Angel.

Operation Instructions:

1. Plug the UL power adapter into a standard power outlet and adjust the settings on the Function Control box to your liking.

2. Cemetery Angel has 2 operation settings which can be found on the main Function Control box on the (C) Torso Frame:

- **On:** This setting allows the item be activated when the light/motion sensor is activated. The item will operate for one audio-cycle with each sensor activation. There are total three audio-cycles.

- **Off/Try-Me:** This setting allows the item to be activated only if the Try-Me (not included) is triggered.

3. The Function Control box also includes a Volume Control knob, which allows you to adjust the volume to be as loud or as quiet as needed. Be sure to test the item before finalizing your display so you can set the volume to your liking.

PROP 65 WARNING:

Handling the coated electrical wires of this product exposes you to lead, a chemical known to the State of California to cause cancer, birth defects or other reproductive harm. Wash hands after use.

Caution: changes or modifications not expressly approved by the party responsible for compliance could void the user's authority to operate the equipment.

NOTE: This equipment has been tested and found to comply with the limits for a Class B digital device, pursuant to Part 15 of the FCC Rules. These limits are designed to provide reasonable protection against harmful interference in a residential installation. This equipment generates, uses and can radiate radio frequency energy and, if not installed and used in accordance with the instructions, may cause harmful interference to radio communications. However, there is no guarantee that interference will not occur in a particular installation. If this equipment does cause harmful interference to radio or television reception, which can be determined by turning the equipment off and on, the user is encouraged to try to correct the interference by one or more of the following measures: Reorient or relocate the receiving antenna. Increase the separation between the equipment and receiver. Connect the equipment into an outlet on a circuit different from that to which the receiver is connected. Consult the dealer or experienced radio/TV technician for help.

Enjoy your Cemetery Angel